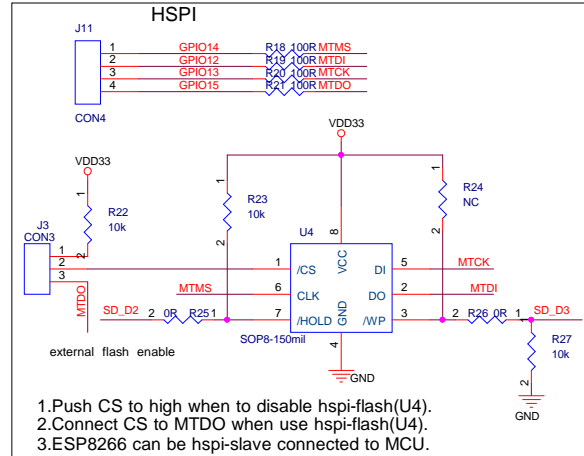
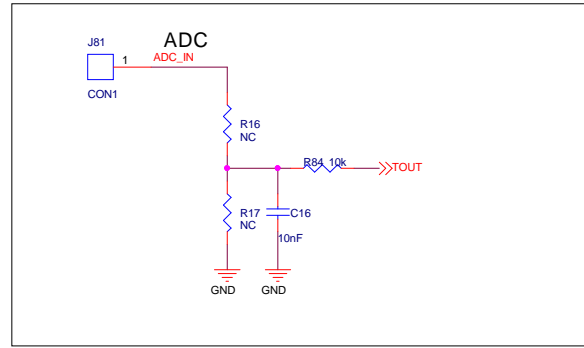
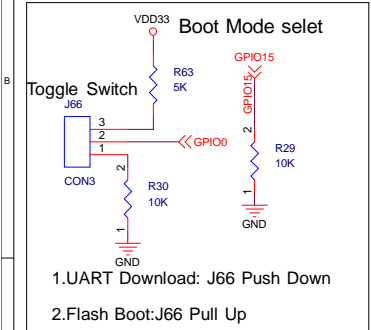
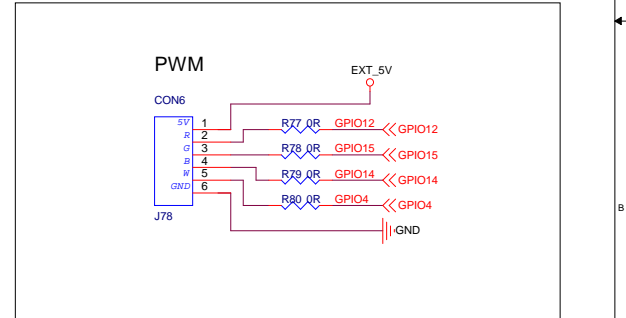
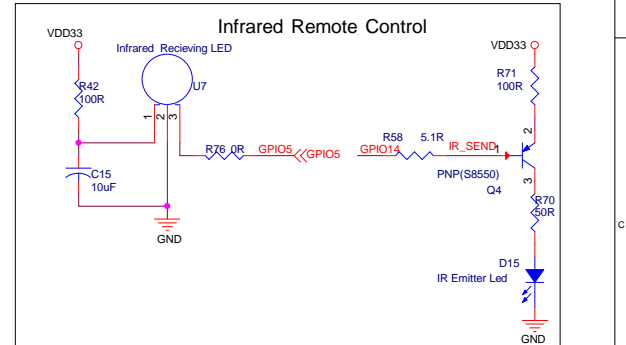
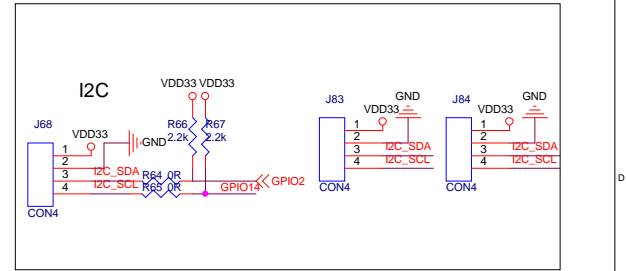


- 1.Normal:use R1 R3 R5 R7
2. Swap: use R2 R4 R6 R8 (for cancelling log print when power on)
- 3.Flow control: short J14 and J67

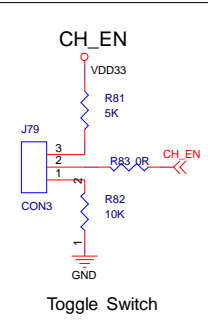
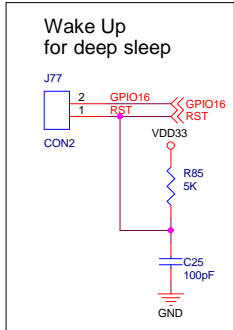
UART



- 1.Push CS to high when to disable hspi-flash(U4).
- 2.Connect CS to MTDO when use hspi-flash(U4).
- 3.ESP8266 can be hspi-slave connected to MCU.



- 1.UART Download: J66 Push Down
- 2.Flash Boot:J66 Pull Up



Toggle Switch
 Pull Up by default

CH_EN:
 can also be controlled by gpio of external MCU

